

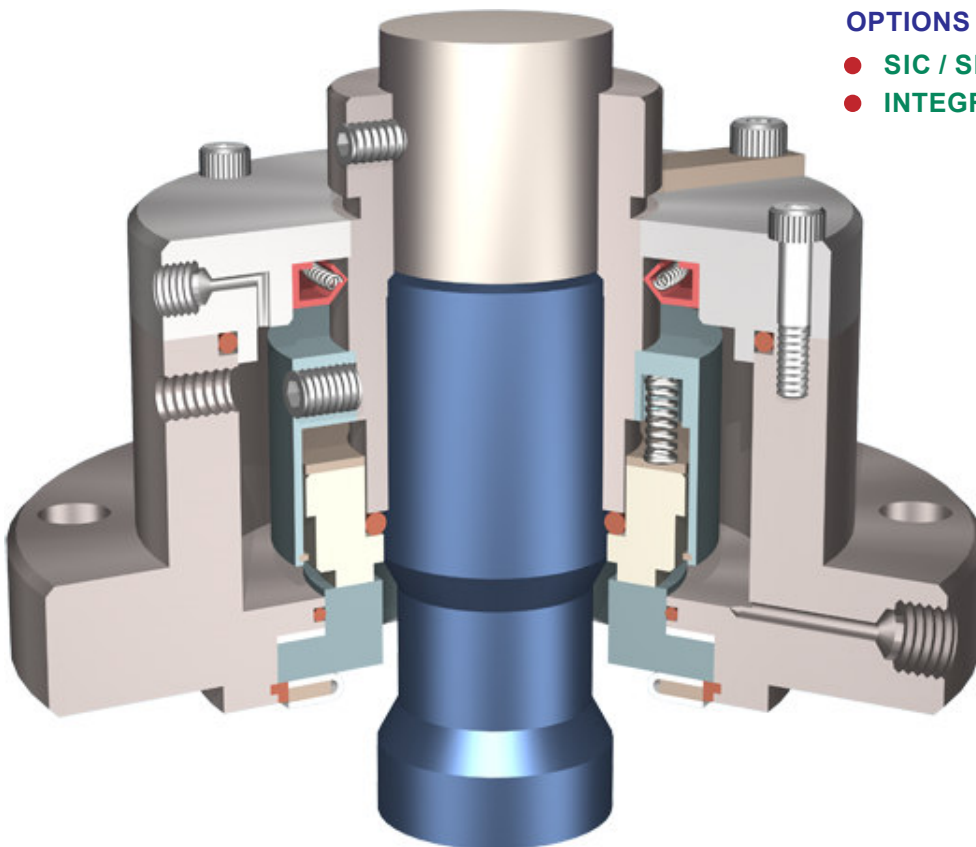
HEB-MF

SINGLE SEALS FOR GLASSLINED REACTORS

- METAL FREE CONTACT PARTS
- REVERSE BALANCED
- UNPRESSURISED SEALANT
- DRY / WET RUNNING OPTION
- CARTRIDGE CONSTRUCTION

OPTIONS :

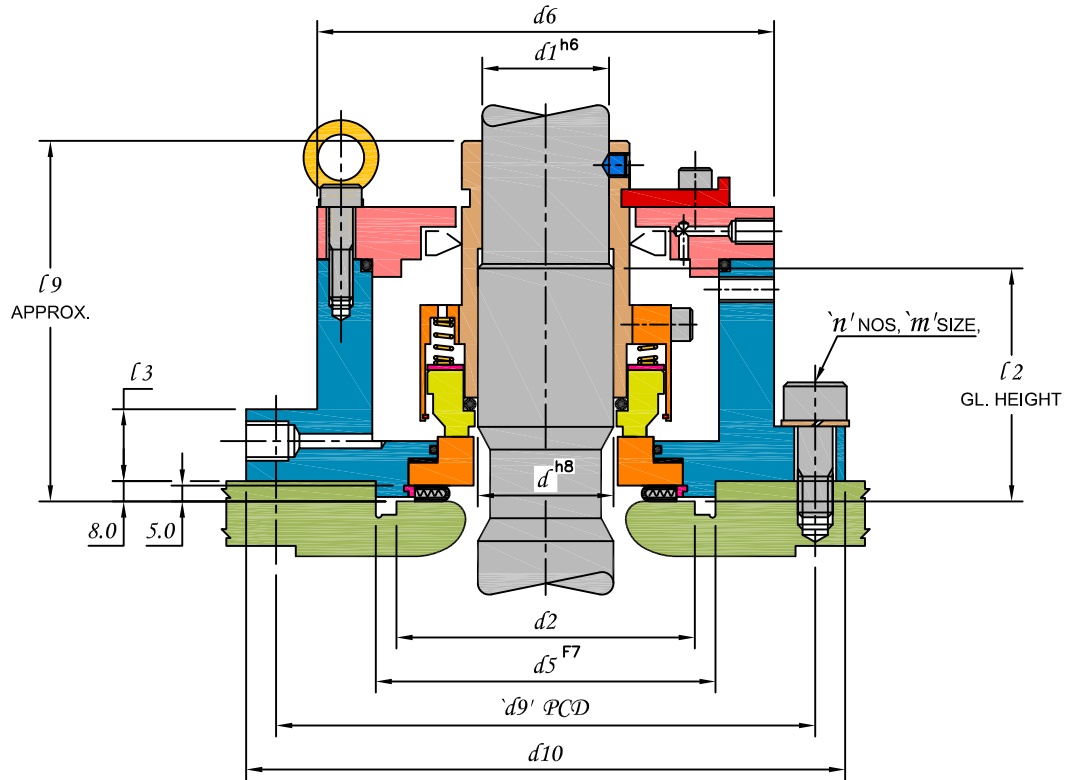
- SIC / SIC FACES AT INBOARD
- INTEGRAL BEARING



APPLICATIONS :

- GLASS / POLYMER LINED REACTORS
- CLADDED REACTORS
- PRESSURE UPTO 6 BAR
- TEMPERATURE UPTO 150°C

INSTALLATION DIMENSIONS



SEAL SIZE	d	d_1	d_2	d_5	d_6	d_9 PCD	d_{10}	l_2	l_3	l_9	m	n
0400	40.0	38.0	94.0	114.0	118.0	145.0	170.0	80.0	33.0	130.0	M16	4
0500	50.0	48.0	106.0	126.0	128.0	155.0	180.0	80.0	33.0	135.0	M16	8
0600	60.0	58.0	117.0	137.0	143.0	170.0	195.0	90.0	33.0	135.0	M16	8
0800	80.0	78.0	147.0	167.0	173.0	200.0	225.0	90.0	33.0	135.0	M16	8
1000	100.0	98.0	173.0	203.0	222.0	270.0	295.0	90.0	38.0	145.0	M16	8
1250	125.0	120.0	200.0	220.0	254.0	295.0	325.0	103.0	38.0	155.0	M20	8

LIMITING PARAMETERS

PRESSURE
FULL VACUUM TO 6 BAR

TEMPERATURE
-40°C TO 200°C

SPEED
2 m/sec

MATERIALS

METAL PARTS
SS316

SEAL FACES	
ROTARY	STATIONARY
CARBON	SIC
SIC	

ELASTOMERS
VITON, PTFE, STV, FEP, FFKM, AFLAS, EPR

Registered Trademarks : Viton - Du Pont, Hastelloy - Haynes International, Inc., Kalrez - Du Pont, Aflas - Asahi Glass Co.



HI-FAB ENGINEERS PVT. LTD.
 D-148, Bonanza Indl. Estate, Ashok Chakravarty Road,
 Kandivali (E), Mumbai - 400 101. INDIA.
 Tel. : +91 (0)22 2887 1173, 2887 9351, 2884 1278
 FAX: +91 (0)22 2887 0375, E-mail : info@hi-fab.com
 Website : http://www.hi-fab.com

