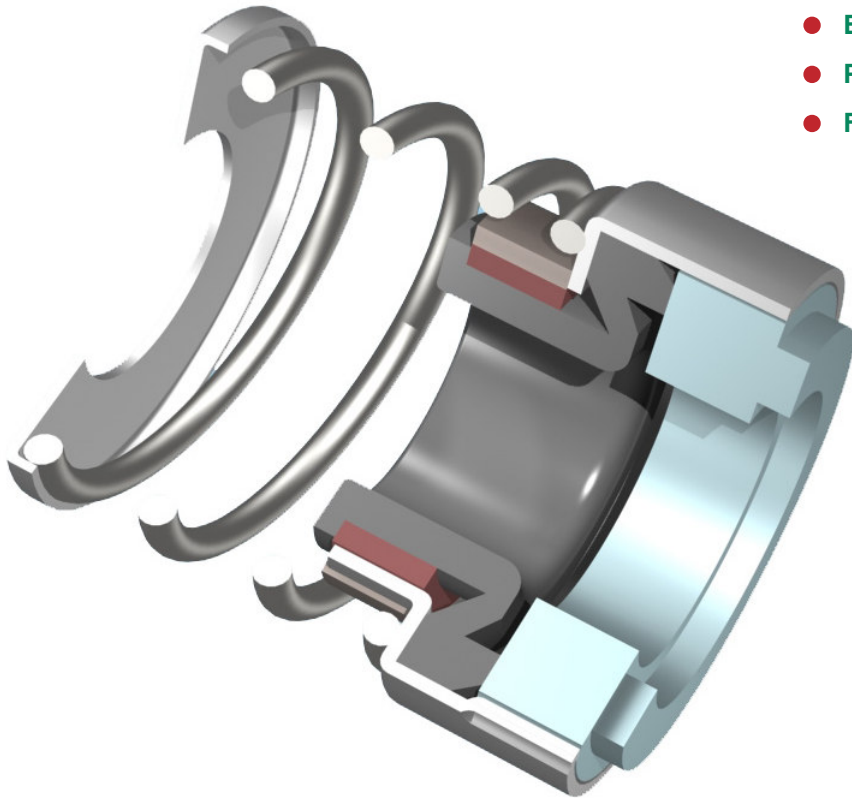


SL

ELASTOMERIC BELLOW SEAL

- LOW COST, MASS PRODUCED
- SELF ALIGNING DESIGN
- NON CLOGGING COIL SPRING
- BIDIRECTIONAL ROTATION
- POSITIVE METAL BAND DRIVE
- FITS ON ANSI, ISO & DIN PUMPS

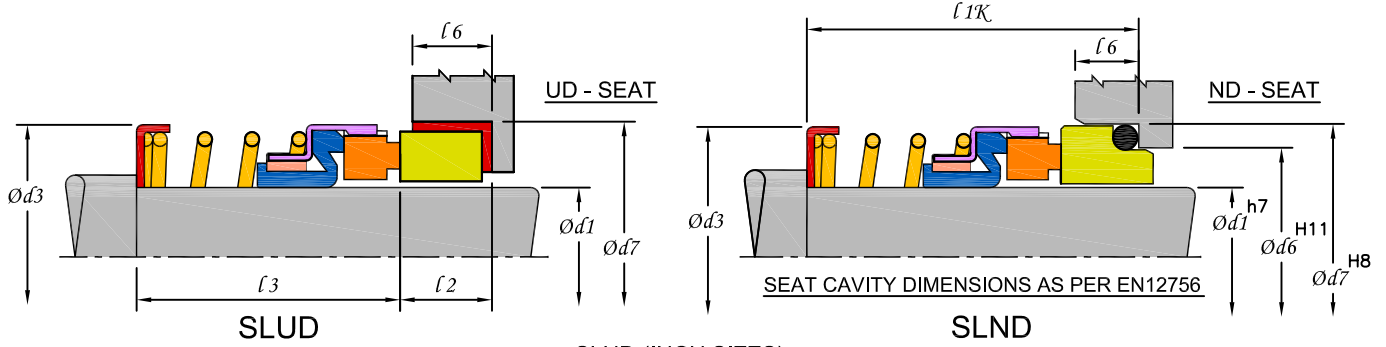


APPLICATIONS :

- CLEAN WATER
- SEWAGE APPLICATIONS
- GEAR PUMPS
- VACUUM PUMPS



INSTALLATION DIMENSIONS



SLUD (INCH SIZES)

SIZE CODE	d1	d3	d7	l2	l3	l6
0127	12.70	24.00	25.40	7.9	20.6	6.3
0158	15.87	27.00	31.75	10.3	22.2	8.7
0190	19.05	31.50	34.92	10.3	22.2	8.7
0222	22.22	33.50	38.10	10.3	23.8	8.7
0254	25.40	39.50	41.30	11.1	25.4	9.5
0286	28.57	42.20	44.50	11.1	27.0	9.5

SIZE CODE	d1	d3	d7	l2	l3	l6
0317	31.75	45.70	47.62	11.1	27.0	9.5
0349	34.92	49.10	50.80	11.1	28.6	9.5
0381	38.10	52.40	54.00	11.1	28.6	9.5
0413	41.27	57.50	60.33	12.7	33.5	11.1
0445	44.45	61.20	63.50	12.7	35.0	11.1
0476	47.62	64.35	66.68	12.7	38.1	11.1
0508	50.80	73.30	69.85	12.7	40.5	11.1

SLND (METRIC SIZES)

SIZE CODE	d1	d3	d6	d7	l1K	l6
0120	12.00	21.40	19.0	23.0	32.5	5.5
0160	16.00	26.70	23.0	27.0	35.0	5.5
0180	18.00	30.35	27.0	33.0	35.0	7.0
0200	20.00	31.75	29.0	35.0	35.0	7.0
0220	22.00	33.50	31.0	37.0	37.5	7.0
0240	24.00	38.30	33.0	39.0	40.0	7.0
0250	25.00	38.30	34.0	40.0	40.0	7.0
0280	28.00	42.30	37.0	43.0	42.5	7.0
0300	30.00	43.90	39.0	45.0	42.5	7.0

SIZE CODE	d1	d3	d6	d7	l1K	l6
0320	32.00	45.70	42.0	48.0	42.5	7.0
0330	33.00	46.80	42.0	48.0	42.5	7.0
0350	35.00	49.10	44.0	50.0	42.5	7.0
0380	38.00	52.40	49.0	56.0	45.0	8.0
0400	40.00	55.7	51.0	58.0	45.0	8.0
0430	43.00	58.8	54.0	61.0	45.0	8.0
0450	45.00	61.2	56.0	63.0	45.0	8.0
0480	48.00	64.4	59.0	66.0	45.0	8.0
0500	50.00	67.4	62.0	70.0	47.5	8.5

LIMITING PARAMETERS

PRESSURE
UPTO 10 BAR

TEMPERATURE
-20°C TO 200°C
DEPENDING UPON ELASTOMER

SPEED
26 m/sec

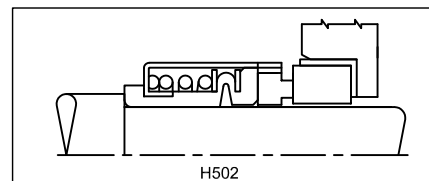
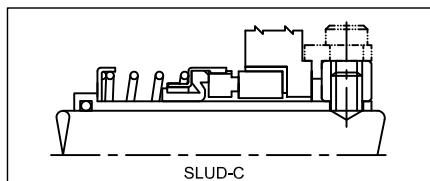
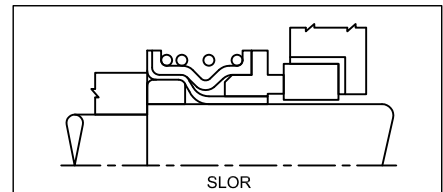
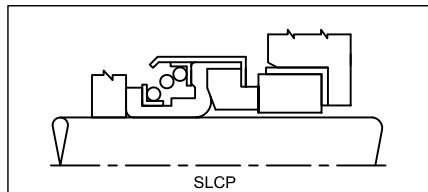
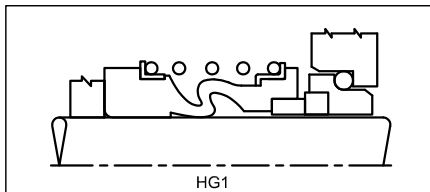
MATERIALS

METAL PARTS
SS304

FACE COMBINATION	
ROTARY	STATIONARY
CARBON	NIRESIST, CERAMIC, SIC, TC
SIC	SIC
TC	SIC, TC

ELASTOMERS
VITON
NEOPRENE, EPDM
NBR, BUNA-N

DESIGN VARIATIONS



For more information on Design variations write to HI-FAB

Registered Trademarks : Viton - Du Pont, Hastelloy - Haynes International, Inc., Kalrez - Du Pont, Aflas - Asahi Glass Co.



HI-FAB ENGINEERS PVT. LTD.

D-148, Bonanza Indl. Estate, Ashok Chakravarty Road, Kandivali (E), Mumbai - 400 101. INDIA.

Tel. : +91 (0)22 2887 1173, 2887 9351, 2884 1278

FAX: +91 (0)22 2887 0375, E-mail : info@hi-fab.com

Website : <http://www.hi-fab.com>