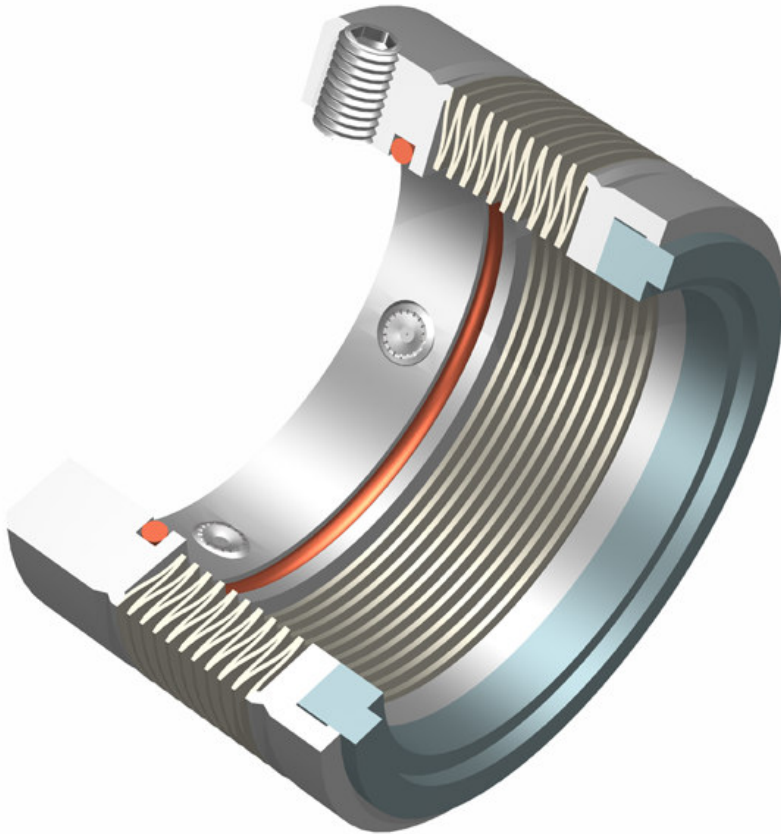


# SMB / SMBH

## METAL BELLOW SEALS



- INHERENTLY BALANCED
- NO SHAFT FRETTING
- FITS ON ANSI, ISO & DIN PUMPS
- AVAILABLE IN SS316, HAST-C & ALLOY-20 CONSTRUCTION
- CONVERTIBLE TO CARTRIDGE DESIGN

SMB seals are inherently balanced. The welded metal bellows do away with springs and therefore clogging or uneven face loading is eliminated. The bellows are self-cleaning because the centrifugal forces prevent any build-up of solid particles. This makes it ideal for slurry applications. Since Metal bellows require no secondary sealing devices like 'O' rings, wedges or 'U' packs, shaft grooving or fretting is avoided.

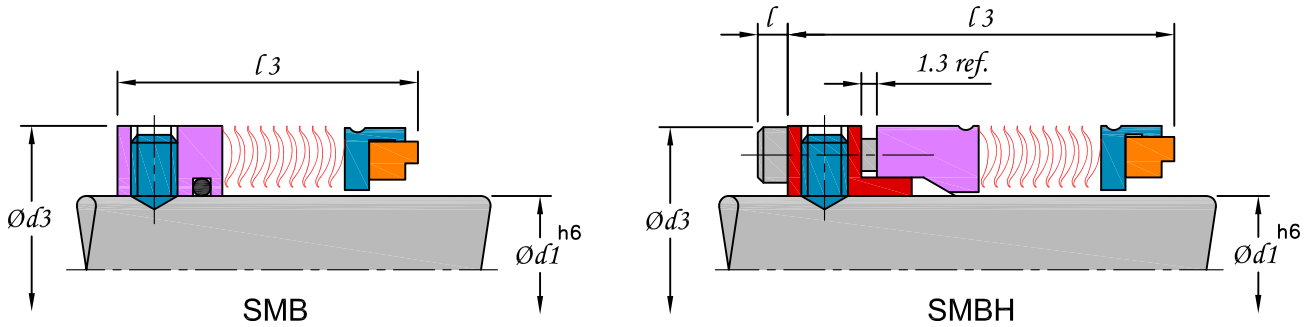
SMBH seals are ideal for high temperature applications.

### APPLICATIONS :

- THERMIC FLUID
- PETROCHEMICALS
- REFINERY SERVICES



# INSTALLATION DIMENSIONS



SIZE CODE INCH	d1	d3	l3
0254	25.40	37.00	31.75
0286	28.57	42.80	31.75
0317	31.75	46.00	33.3
0349	34.92	49.20	36.5
0381	38.10	52.40	36.5
0413	41.27	55.60	36.5
0444	44.45	58.70	36.5
0476	47.62	61.90	38.1
0508	50.80	65.10	38.1
0539	53.97	68.20	38.1
0571	57.15	71.40	39.7
0603	60.32	74.60	39.7
0635	63.50	81.00	39.7
0666	66.67	84.12	41.3
0730	73.02	87.30	41.3
0762	76.2	92.10	42.8
0794	79.37	95.20	42.8
0826	82.55	98.40	44.5
0857	85.72	101.6	44.5
0889	88.90	104.8	44.5
0921	92.07	108.0	47.6
0952	95.25	114.3	47.6
0984	98.42	117.5	47.6
1016	101.6	120.7	47.6

SIZE CODE INCH	d1	d3	l	l3
0254	25.40	39.70	3.2	42.9
0286	28.57	42.80	3.2	39.7
0317	31.75	46.00	3.2	40.5
0349	34.92	49.10	3.2	49.1
0381	38.10	55.10	4.2	44.5
0413	41.27	58.29	4.2	44.5
0444	44.45	61.50	4.2	49.7
0476	47.62	64.60	4.2	44.5
0508	50.80	67.80	4.2	49.7
0539	53.97	71.00	4.2	44.5
0571	57.15	74.20	4.2	47.6
0603	60.32	77.30	4.2	47.6
0635	63.50	81.00	4.2	47.6
0666	66.67	84.12	4.2	47.6
0730	73.02	92.10	4.8	47.6
0762	76.20	95.30	4.8	47.6
0794	79.37	98.40	4.8	47.6
0825	82.55	101.6	4.8	47.6
0857	85.72	104.8	4.8	47.6
0889	88.9	108.0	4.8	47.6
0920	92.07	111.1	4.8	47.6
0952	95.25	114.3	4.8	47.6
0984	98.42	117.5	4.8	47.6
1016	101.6	120.7	4.8	47.6

DIMENSIONS FOR METRIC SIZES AVAILABLE ON REQUEST

## LIMITING PARAMETERS

PRESSURE
UPTO 20 BAR

TEMPERATURE	
SMB	SMBH
-70°C TO 200°C	-70°C TO 350°C

SPEED
26 m/sec

## MATERIALS

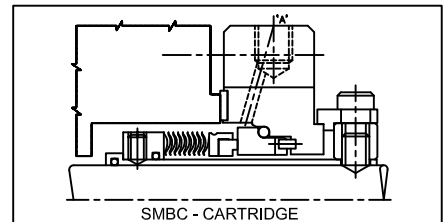
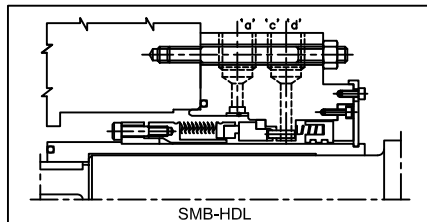
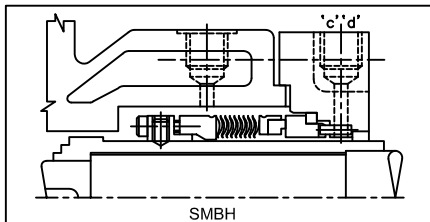
END FITTINGS		
SMB	SMBH	
SS316	SEALRING SHELL	CARP-42
ALLOY-20	COLLAR	SS316
HAST-C		

BELLOWS	
SMB	HAST-C
	AM350
	ALLOY-20
	INCONEL
SMBH	AM350

SEAL FACES	
ROTARY	STATIONARY
CARBON	SIC / TC
SIC	SIC
TC	SIC / TC

ELASTOMERS	
SMB	SMBH
PTFE, VITON	FLEXIBLE GRAPHITE
KALREZ	
EPR, FEP	

## DESIGN VARIATIONS



Registered Trademarks : Viton - Du Pont, Hastelloy - Haynes International, Inc., Kalrez - Du Pont, Atlas - Asahi Glass Co.

	<b>HI-FAB ENGINEERS PVT. LTD.</b> D-148, Bonanza Indl. Estate, Ashok Chakravarty Road, Kandivall (E), Mumbai - 400 101. INDIA. Tel. : +91 (0)22 2887 1173, 2887 9351, 2884 1278 FAX: +91 (0)22 2887 0375, E-mail : info@hi-fab.com Website : http://www.hi-fab.com	

Due to continuous improvement specifications & dimensions may change without prior notice