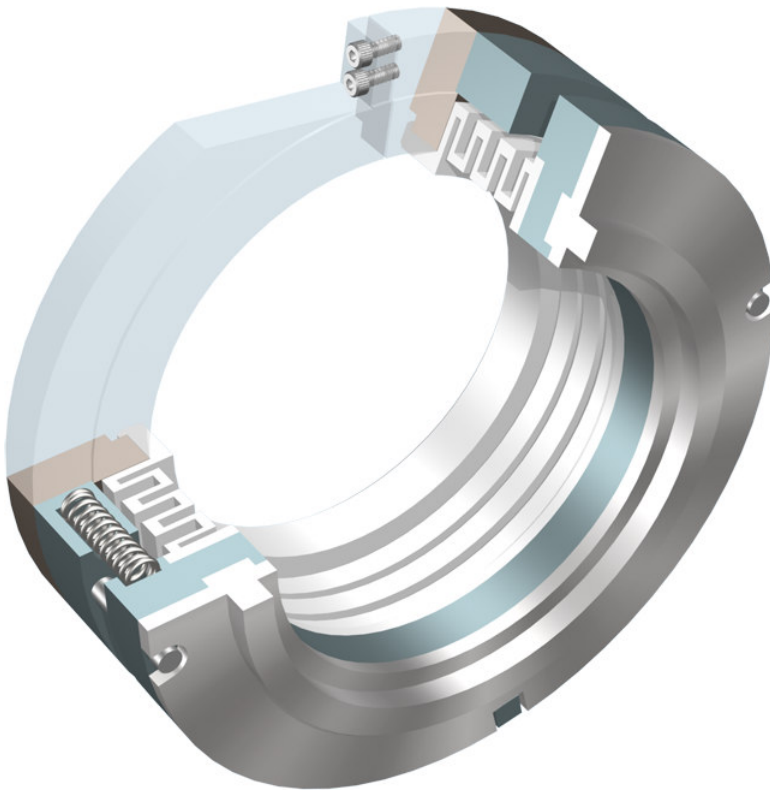


STB

PTFE BELLOW SEALS



- **OUTSIDE MOUNTED**
- **NO DYNAMIC ELASTOMERS**
- **HYDRAULICALLY BALANCED**
- **EASY TO INSTALL**
- **REPLACEABLE SEAL FACE**

HIFAB STB seals are multispring, externally mounted teflon bellows seals for handling corrosive media. The heart of the seal is PTFE + GFT composite bellows which is hydraulically balanced and is machined with high precision to form the prescribed contour. The design of the seal eliminates the contact between metal parts of the seal and the corrosive liquid which it handles. The seal has no dynamic elastomers and hence no fretting damage on the shaft.

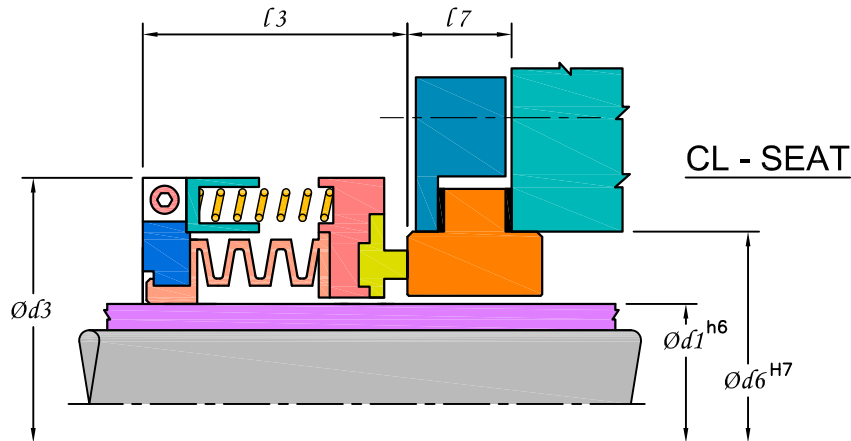
Hard face combination viz Sic/Cer or Sic/Sic also offered for moderate slurries & corrosive salt solutions.

APPLICATIONS :

- **EXTREMELY CORROSIVE LIQUIDS**
- **CLEAR ACIDS**
- **CORROSIVE SALT SOLUTIONS**



INSTALLATION DIMENSIONS



INCH SIZES

SIZE CODE INCH	d1	d3	d6	l3	l7
0254	25.40	57.2	42.9	32.5	13.7
0286	28.57	60.3	44.5	32.5	15.9
0317	31.75	63.5	51.0	32.5	20.6
0349	34.92	66.7	51.0	32.5	20.6
0381	38.10	71.4	57.1	32.5	20.6
0413	41.27	76.2	62.0	32.5	20.6
0445	44.45	79.4	63.5	32.5	20.6
0476	47.62	82.6	69.9	32.5	20.6
0508	50.80	96.9	73.0	44.45	20.6

METRIC SIZES

SIZE CODE MM	d1	d3	d6	l3	l7
0250	25.00	57.2	42.9	32.5	13.7
0280	28.00	60.3	44.5	32.5	15.9
0300	30.00	63.5	51.0	32.5	20.6
0320	32.00	63.5	51.0	32.5	20.6
0330	33.00	66.7	51.0	32.5	20.6
0350	35.00	66.7	51.0	32.5	20.6
0380	38.00	71.4	57.1	32.5	20.6
0400	40.00	76.2	62.0	32.5	20.6
0430	43.00	79.4	63.5	32.5	20.6
0450	45.00	79.4	63.5	32.5	20.6
0480	48.00	82.6	69.9	32.5	20.6
0500	50.00	96.9	73.0	44.45	20.6

LIMITING PARAMETERS

PRESSURE
UPTO 6 BAR

TEMPERATURE
-45°C TO 120°C

SPEED
14 m/sec

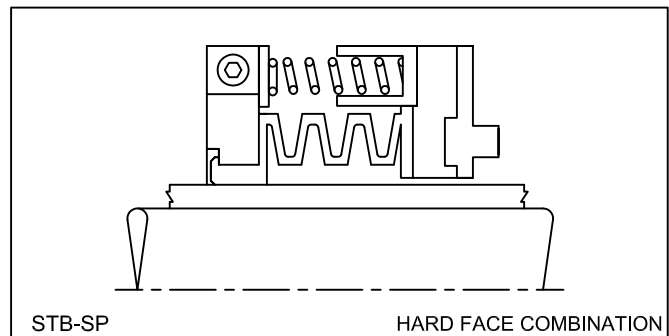
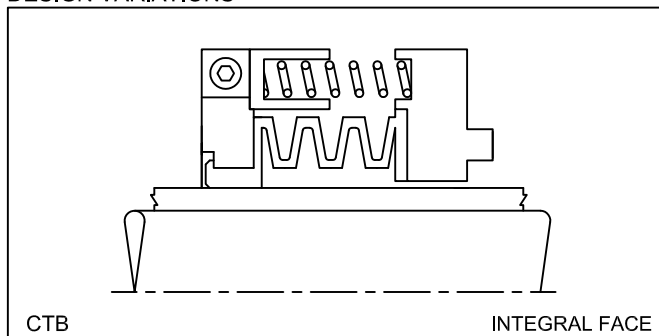
MATERIALS

BELLOWS
PTFE + GFT COMPOSITE

SEAL FACES	
ROTARY	STATIONARY
GFT	CERAMIC
CARBON	CERAMIC, SIC
SIC	CERAMIC, SIC

ELASTOMERS
PTFE, GFT

DESIGN VARIATIONS



Registered Trademarks : Viton - Du Pont, Hastelloy - Haynes International, Inc. Kalrez - Du Pont Atlas - Asahi Glass Co.



HI-FAB ENGINEERS PVT. LTD.
 D-148, Bonanza Indl. Estate, Ashok Chakravarty Road,
 Kandivali (E), Mumbai - 400 101. INDIA.
 Tel. : +91 (0)22 2887 1173, 2887 9351, 2884 1278
 FAX: +91 (0)22 2887 0375, E-mail : info@hi-fab.com
 Website : http://www.hi-fab.com

